



# Coaxial Dynamics

These 50 ohm RF Load Resistors are light weight, dry coaxial loads that can be used in any position. A two-year warranty is supplied with each load covering performance characteristics.

All power ratings are for continuous operation; however, data are available for special applications and pulsed power conditions. Your local distributor or the factory is prepared to answer any question you may have.

Any of our Quick Match Connectors can be used on these loads. Should you desire a connector other than the included type N female, it should be specified when ordering. A list of your choices is included in the 88000 Series of the catalog for your convenience.

MODEL NUMBER	CW POWER RATING	VSWR	FREQUENCY RANGE	INCLUDED CONNECTOR	WEIGHT OZ. (g)
4005	5W	1.05:1 1.10:1	DC-1000 MHz 1 GHz-4 GHz	N (F)	6.0 (170)
4010	10W	1.05:1 1.10:1	DC-1000 MHz 1 GHz-4 GHz	N (F)	4.0 (113)
4025	25W	1.05:1 1.10:1	DC-1000 MHz 1 GHz-4 GHz	N (F)	8.3 (235)
4050	50W	1.05:1 1.10:1	DC-1000 MHz 1 GHz-4 GHz	N (F)	12.5 (354)
4100	100W	1.05:1 1.10:1	DC-1000 MHz 1 GHz-4 GHz	N (F)	50.4 (1429)
4150	150W	1.05:1 1.10:1	DC-1000 MHz 1 GHz-4 GHz	N (F)	80.0 (2268)
4160	250W	1.15:1 1.35:1	DC-1000 MHz 1 GHz-2.4 GHz	N (F)	208.0 (2950)
4170	500W	1.15:1 1.35:1	DC-1000 MHz 1 GHz-2.4 GHz	N (F)	480.0 (6800)
*4180	1000W	1.15:1 1.35:1	DC-1000 MHz 1 GHz-2.4 GHz	N (F)	544.0 (7700)

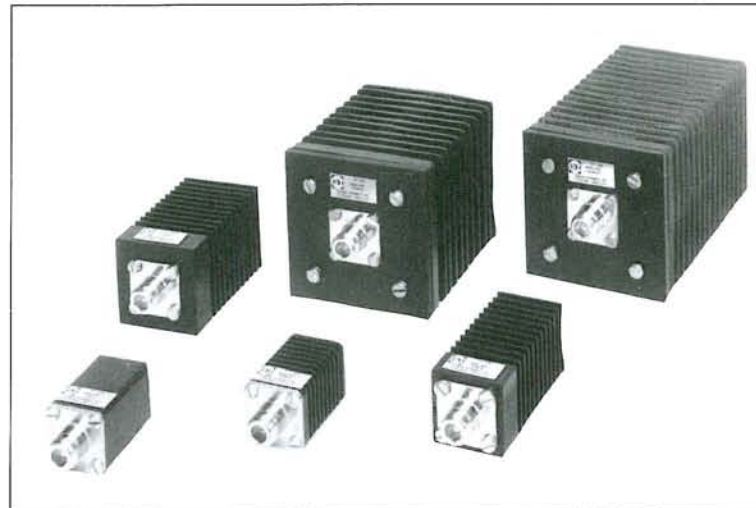
\*Includes 12V AC cooling fan 115V AC/60 Hz standard. 230V AC/50 Hz available. Model 4160 not shown. Consult factory for dimensions.

Note: Coaxial dry dielectric termination load resistors can be operated in any position. Ambient air temperature ranges for CW power rating noted above is  $-40^{\circ}\text{C}$  to  $+45^{\circ}\text{C}$ .

**RF  
TERMINATING  
LOAD  
RESISTORS**

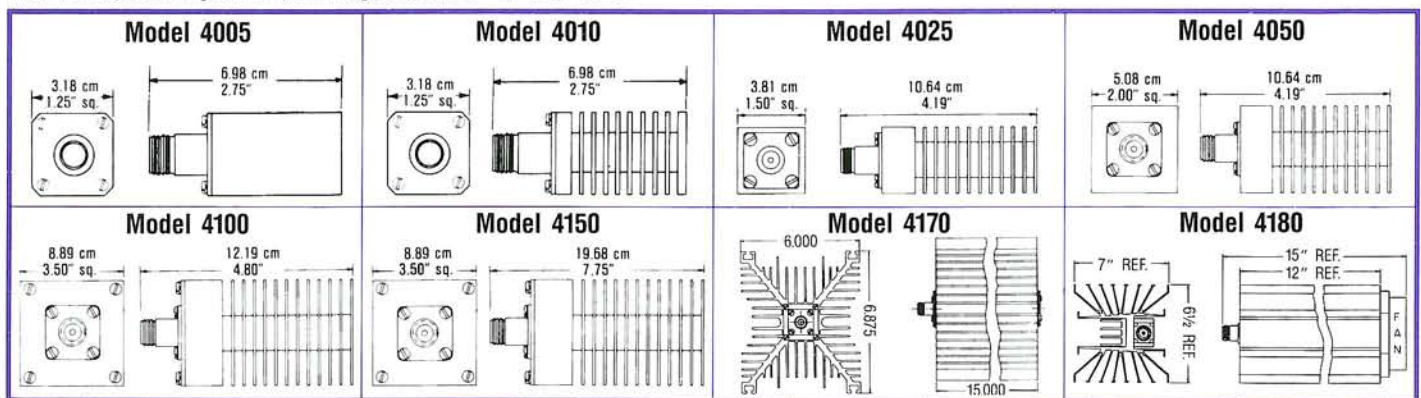
**4000  
SERIES**

**DRY LOADS**



**CHECK THESE COAXIAL FEATURES:**

- 2 YEAR LIMITED WARRANTY
- CONTINUOUS FULL-RATED POWER
- QUICK-MATCH CONNECTORS



**Coaxial Dynamics**

6800 Lake Abram Drive, Middleburg Hts., Ohio 44130, USA  
 (440) 243-1100 • 1-800-COAXIAL • FAX: (440) 243-1101  
 E-Mail: coaxial@apk.net • Web Site: <http://www.coaxial.com>

